

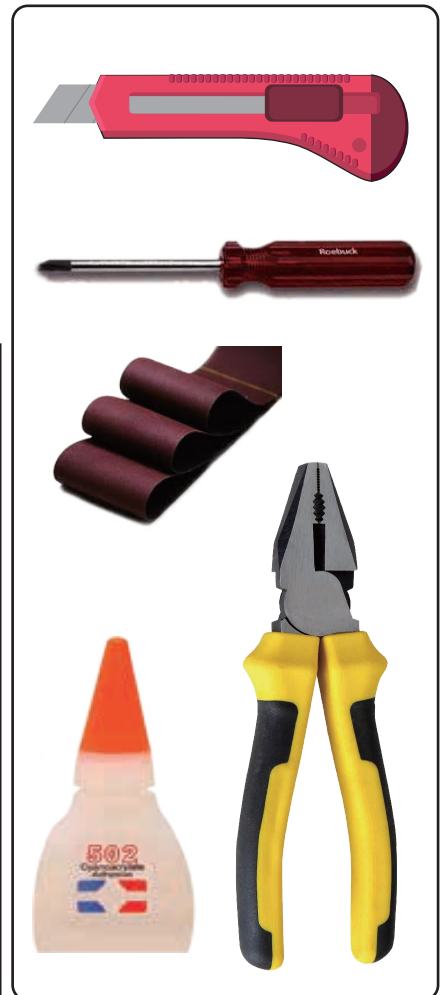
# Sopwith Camel Balsa Training Assembling Manual



## Specification

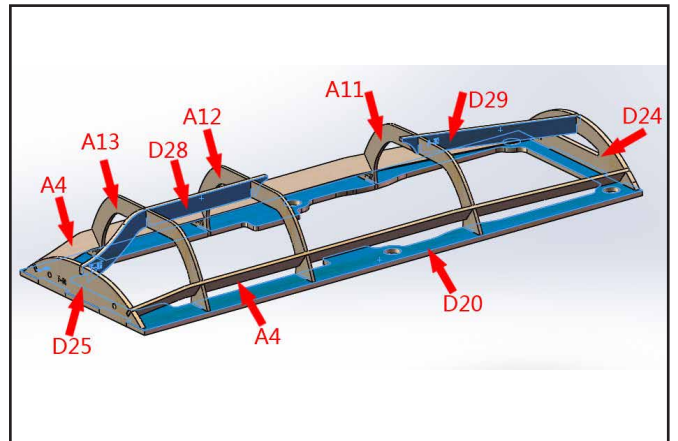
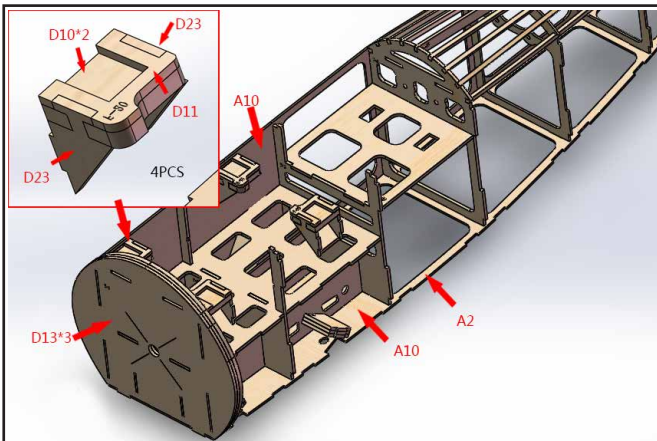
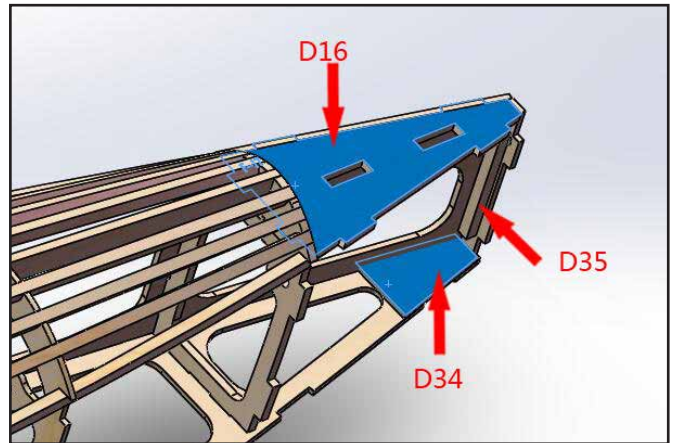
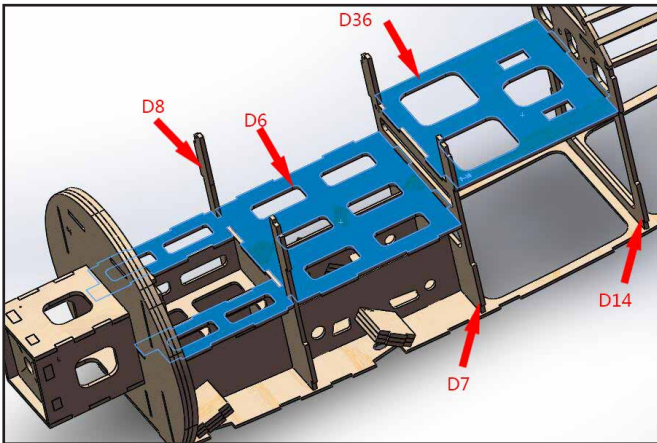
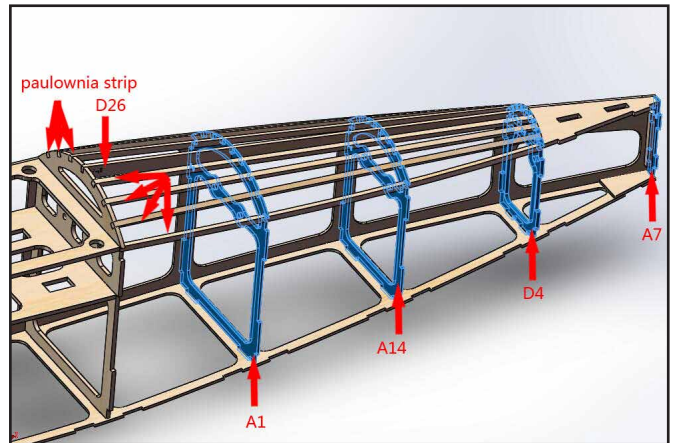
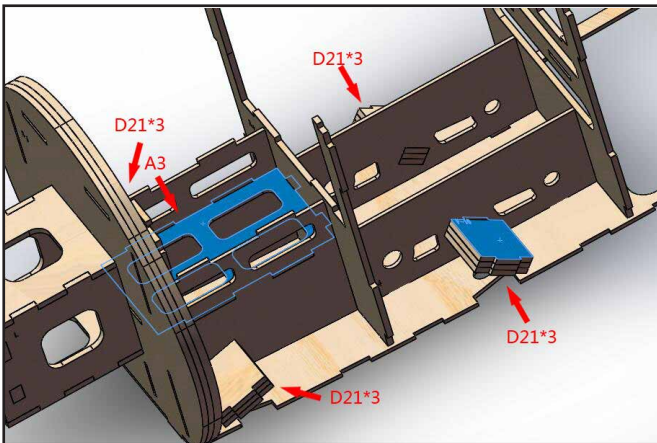
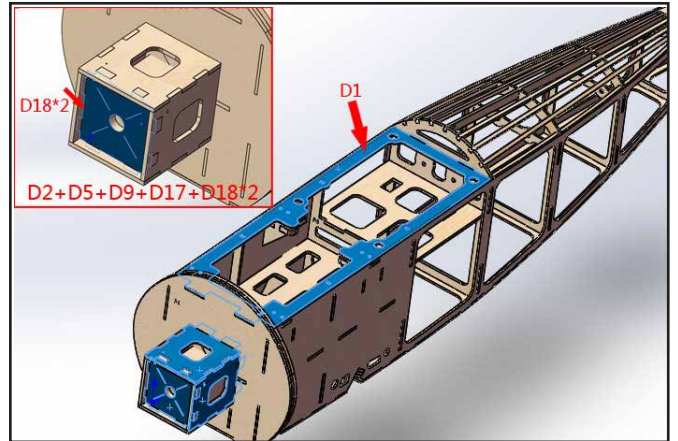
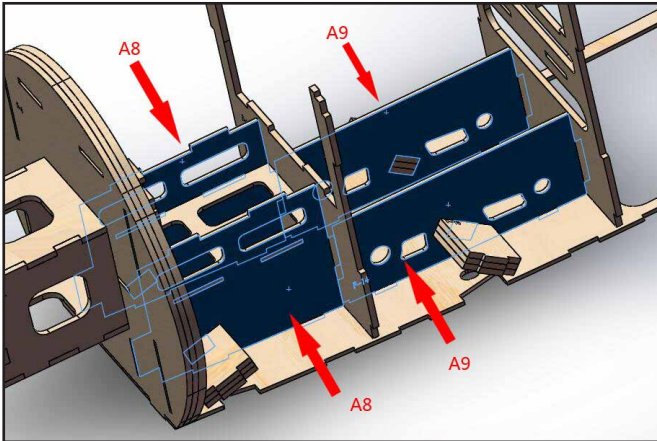
Wingspan: 1520mm  
Fuselage: 1020mm  
Flying Weight: 2700-3300g  
Motor: EP 3530(4250) / GP 15-20CC  
ESC: 40-60A 6S  
Servo: 17g\*4  
Prop: 14-15inch  
Battery: 6S 2600-4000mAh

## Tools



# Sopwith Camel Balsa Training Assembling Manual

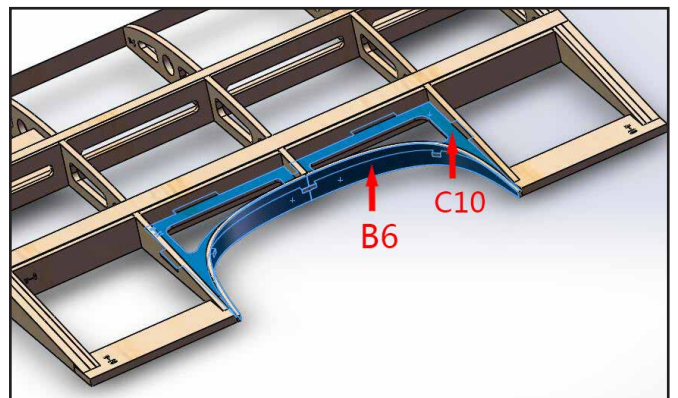
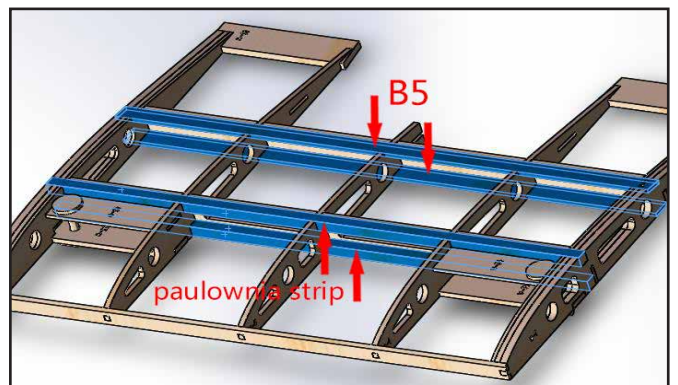
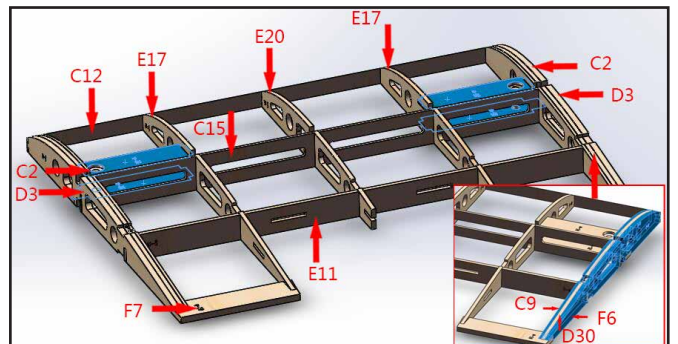
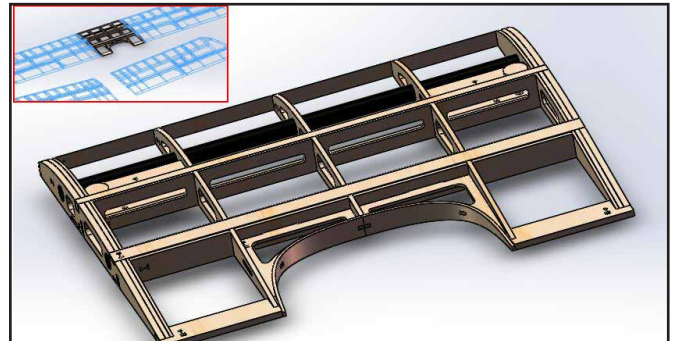
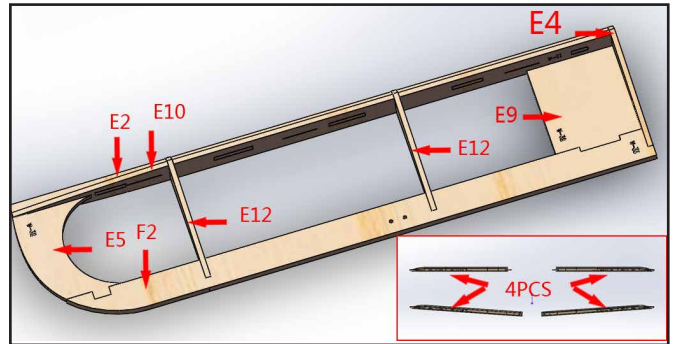
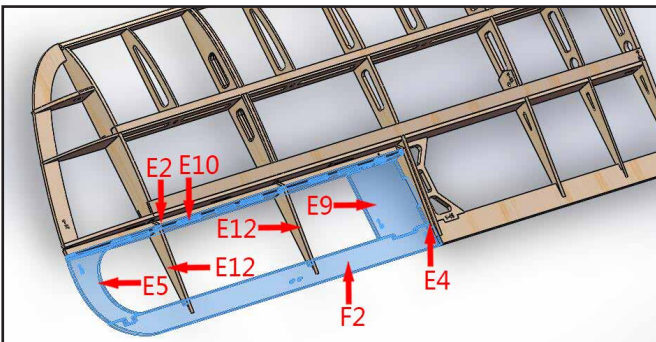
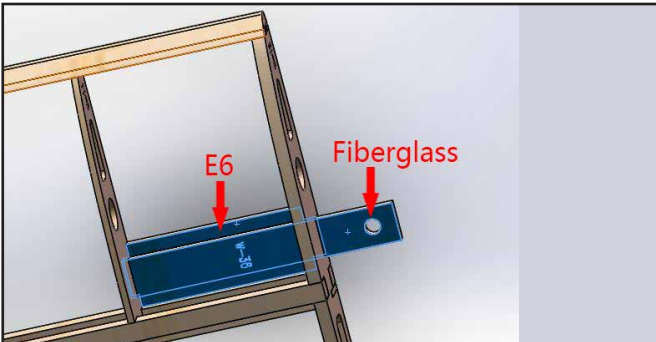
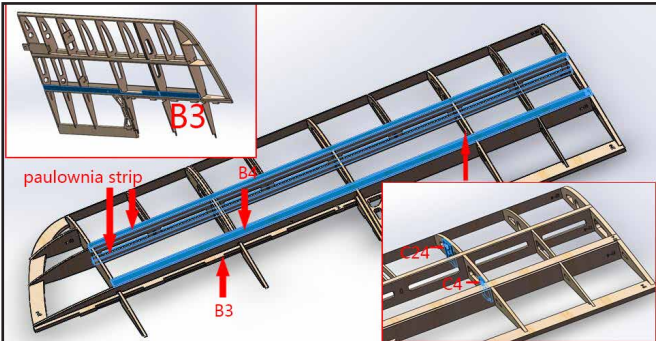
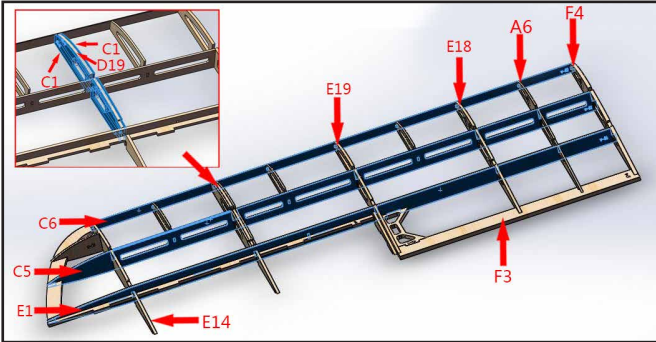
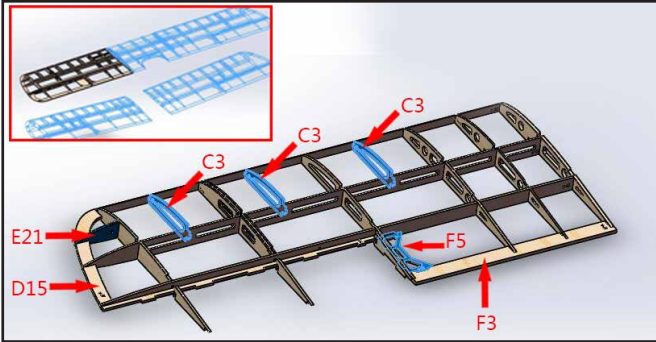
## Assemble the Fuselage





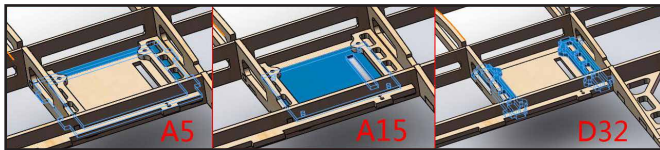
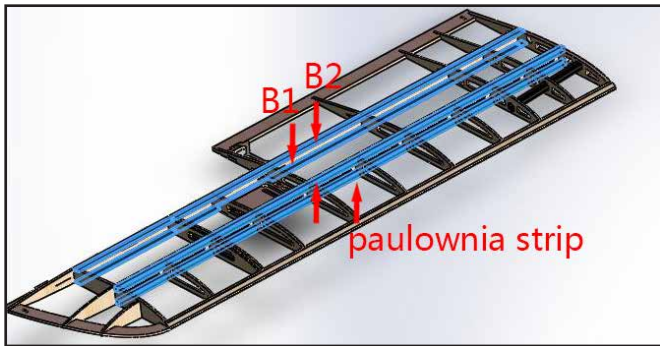
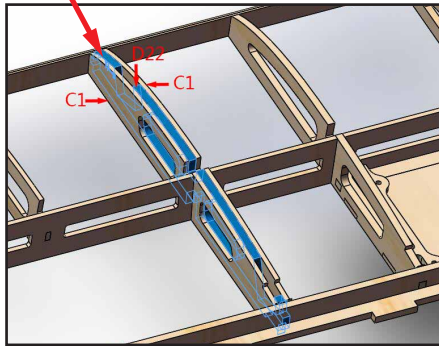
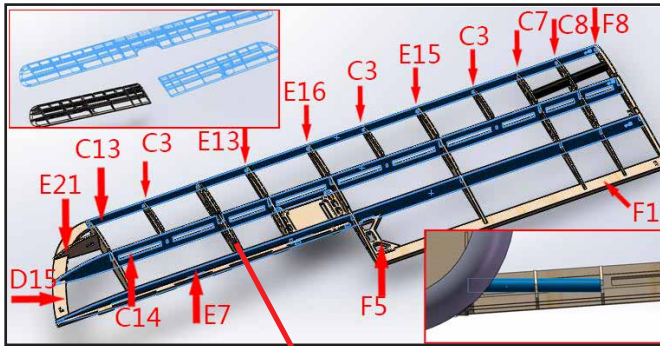
# Sopwith Camel Balsa Training Assembling Manual

## Assemble the Wing

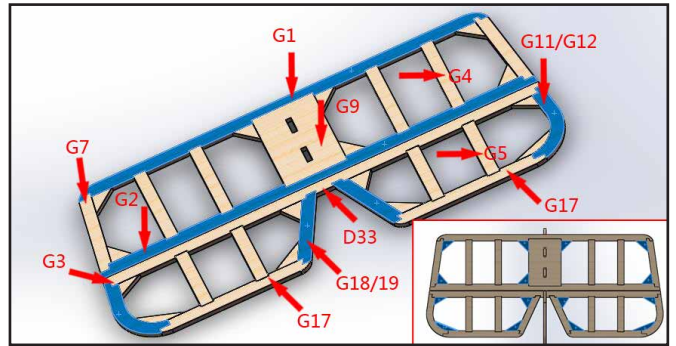
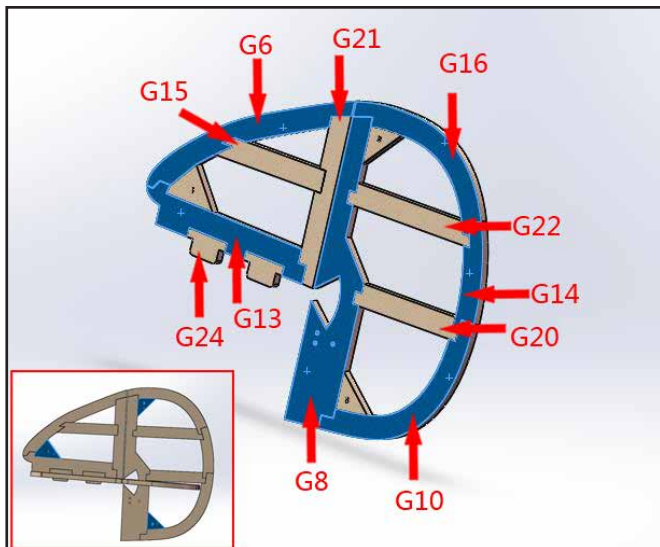




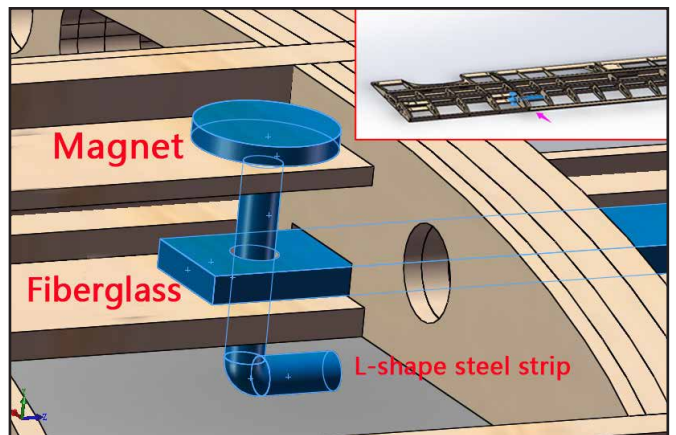
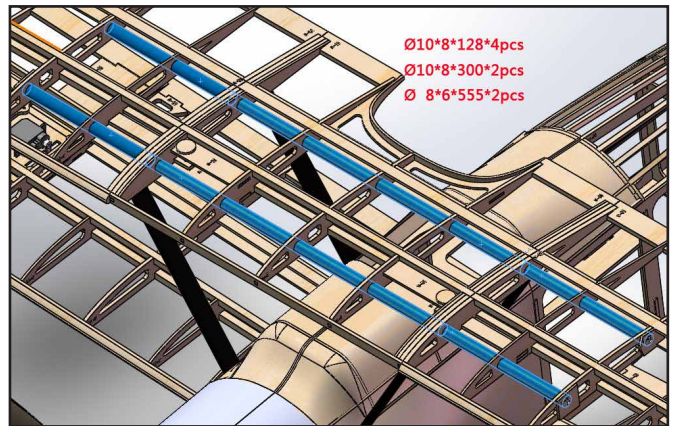
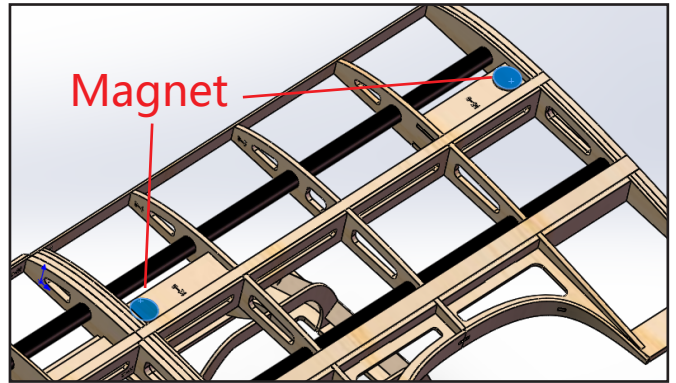
# Sopwith Camel Balsa Training Assembling Manual



## Assemble the Tail Wing

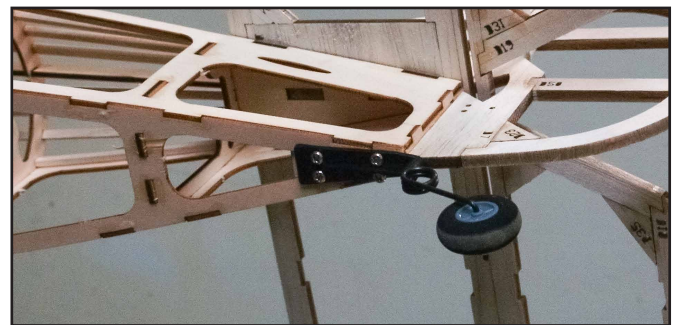
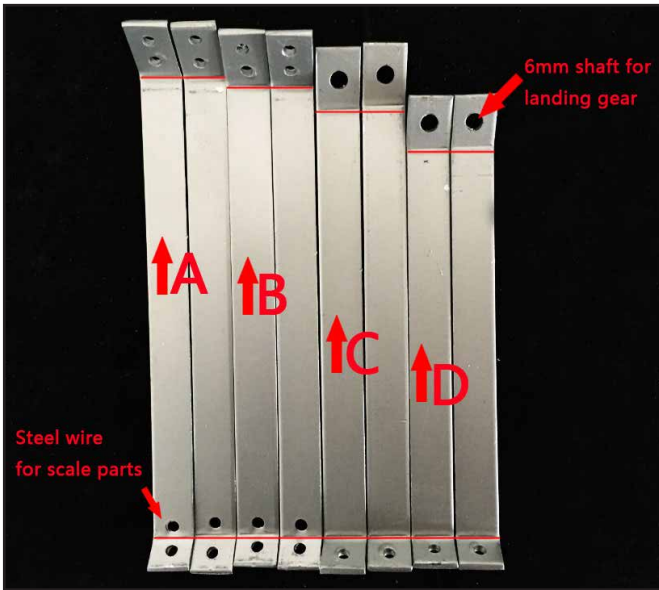
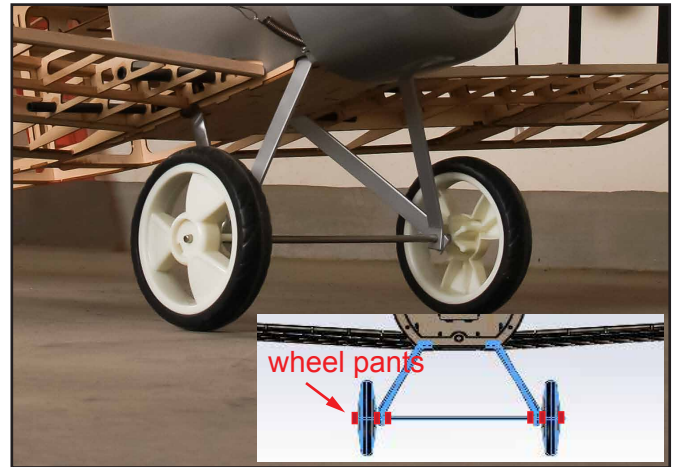
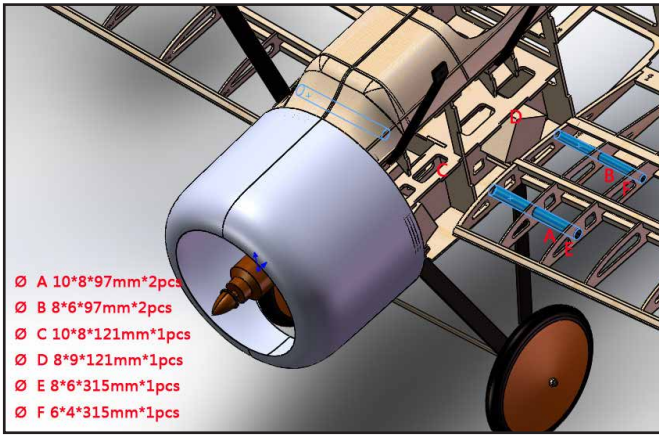


## Assemble the Parts

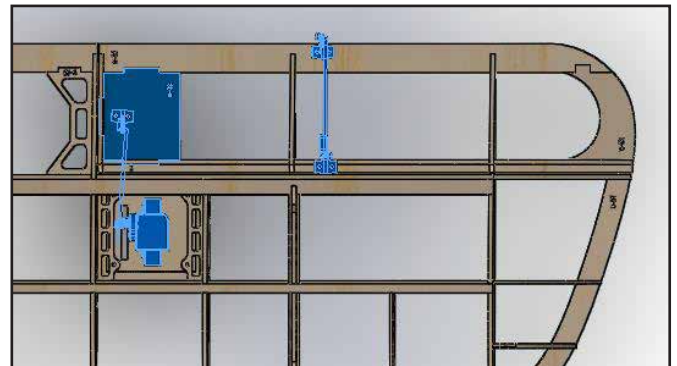
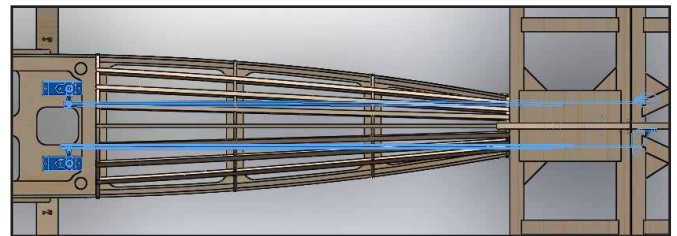
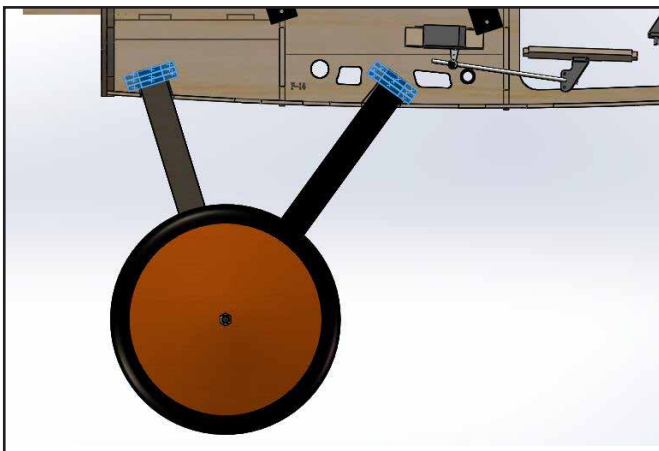
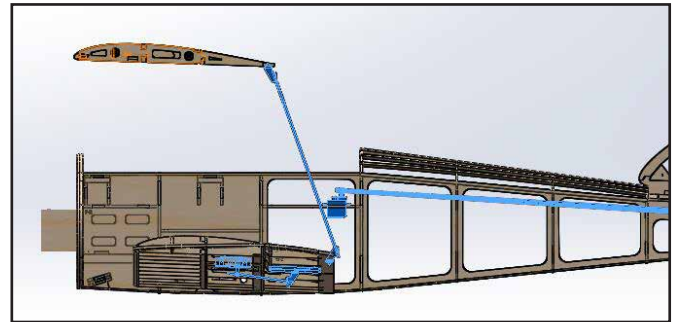
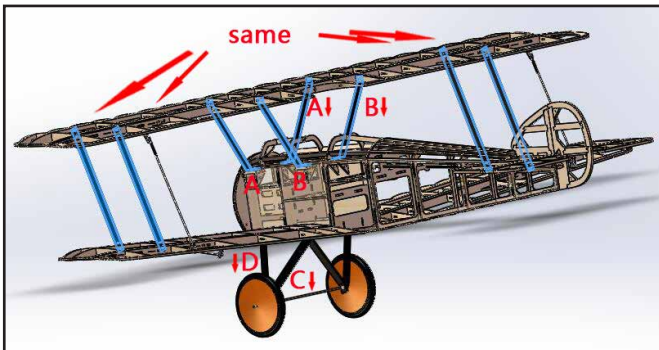




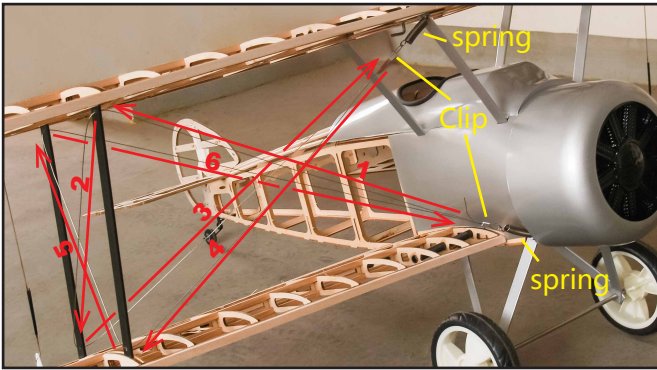
# Sopwith Camel Balsa Training Assembling Manual



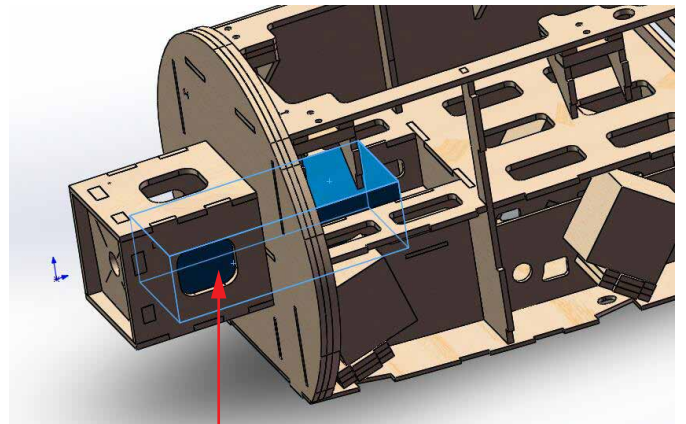
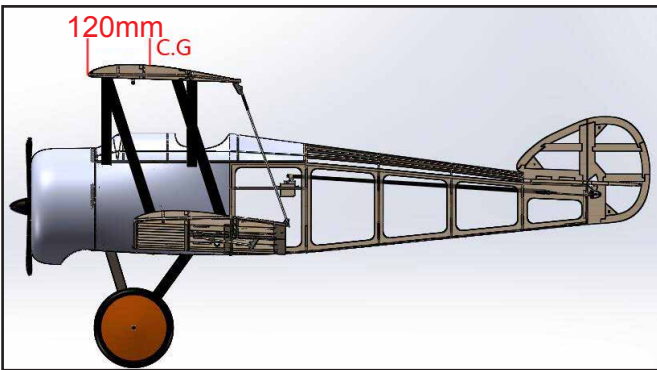
## Assemble the Servo



# Sopwith Camel Balsa Training Assembling Manual



## Position of center of gravity



## Battery

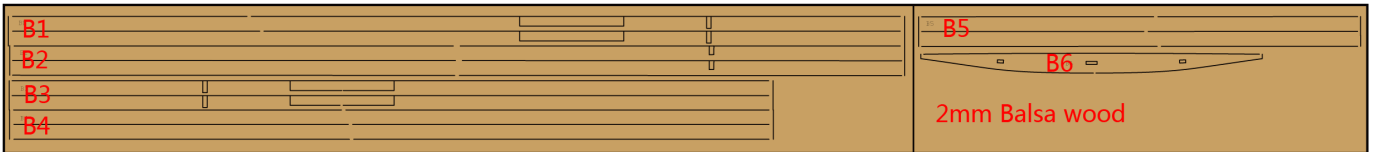
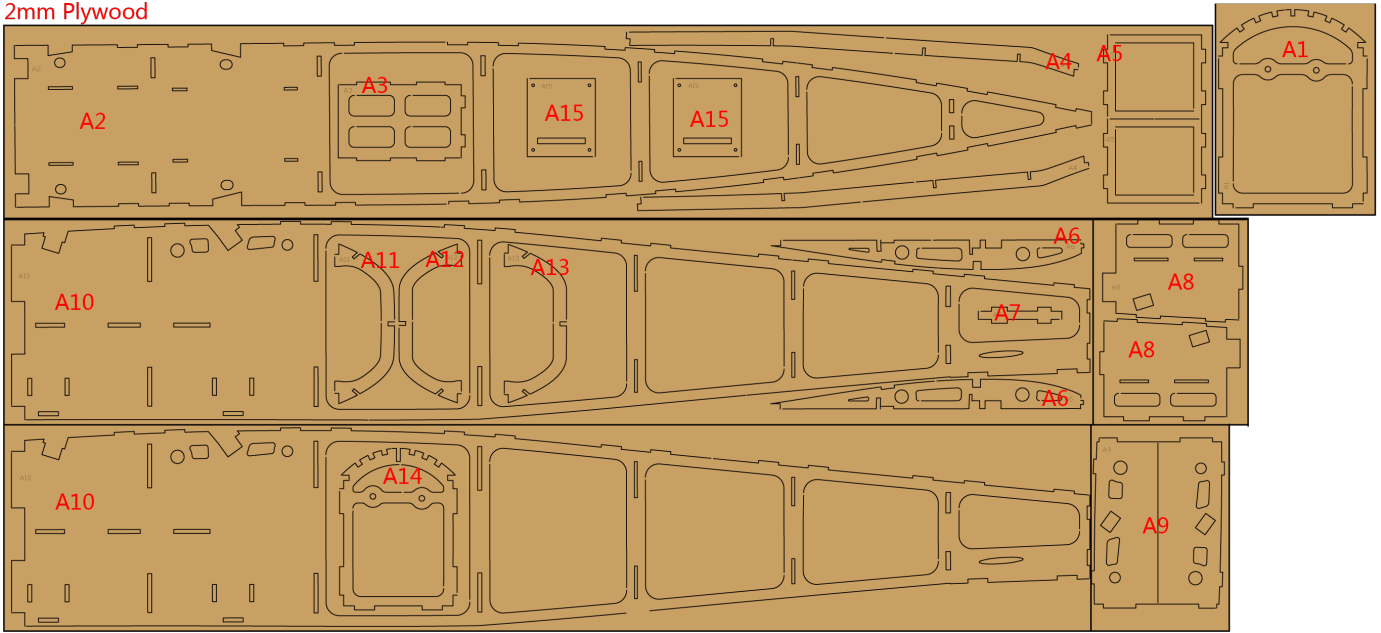
## ADDITIONAL SAFETY PRECAUTIONS AND WARNINGS

**Age Recommendation: This is not a toy, not for children under 14 years old.**

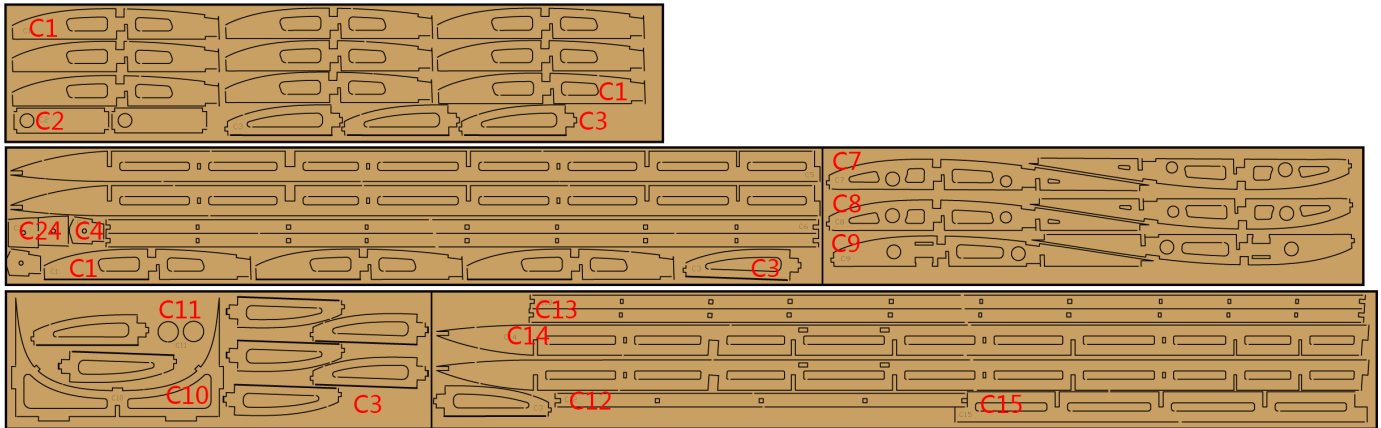
1. Always keep a safe distance in all directions around your model to avoid collisions or injury. The model is controlled by a radio subject to interference from many sources outside your control. Interference can cause momentary loss of control.
2. Always operate your model in open spaces away from full-size vehicles, traffic and people.
3. Always carefully follow the directions and warnings for this and any optional support equipment (chargers, rechargeable battery packs, etc.).
4. Always keep all chemicals, small parts and anything electrical out of the reach of children.
5. Always avoid water exposure to all equipment not specifically designed and protected for this purpose. Moisture causes damage to electronics.
6. Never place any portion of the model in your mouth as it could cause serious injury or even death.
7. Never operate your model with low transmitter batteries.

# Sopwith Camel Balsa Training Assembling Manual

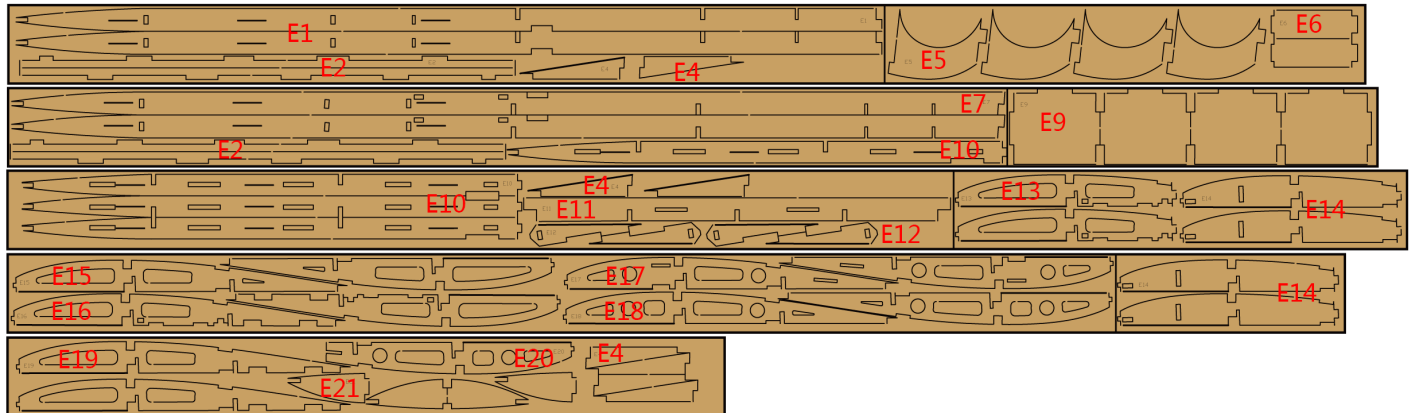
## 2mm Plywood



## 2mm Paulownia wood



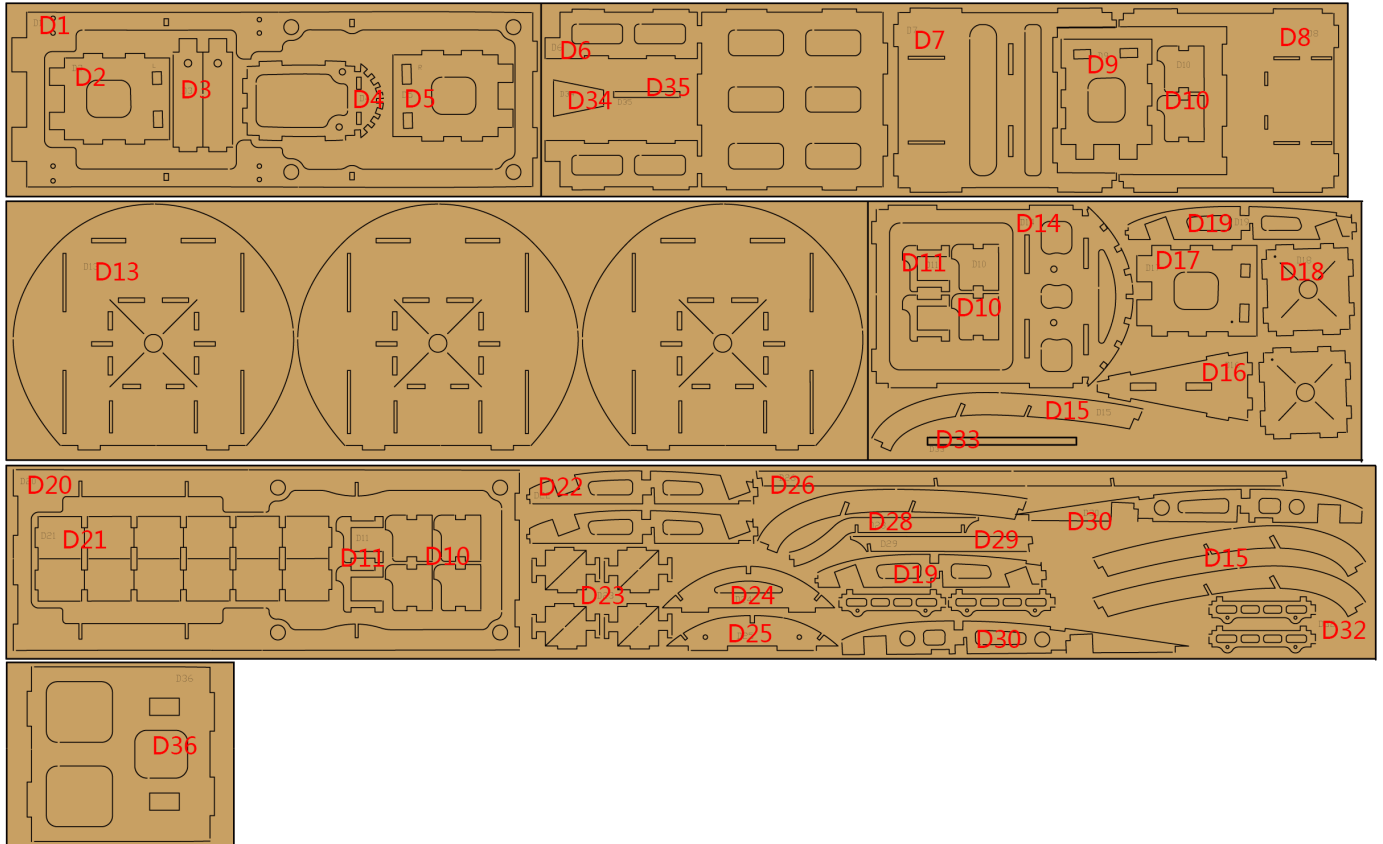
## 3mm Paulownia wood



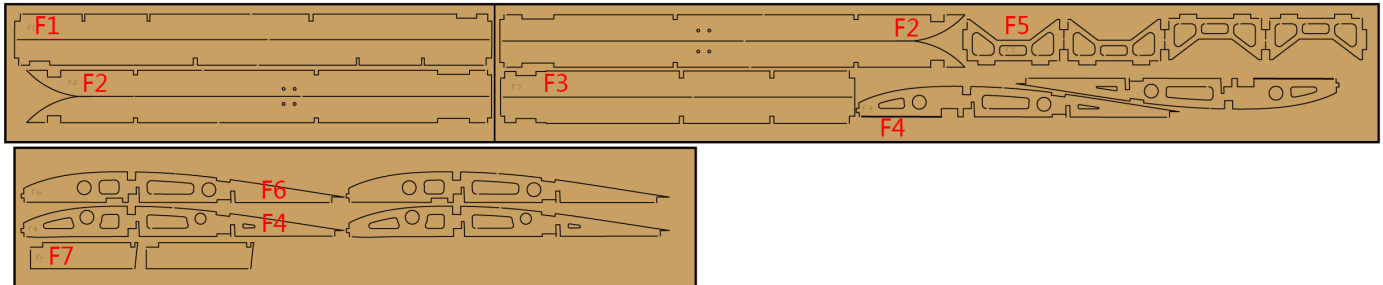


# Sopwith Camel Balsa Training Assembling Manual

## 3mm Plywood



## 4mm Paulownia wood



## 5mm Paulownia wood

